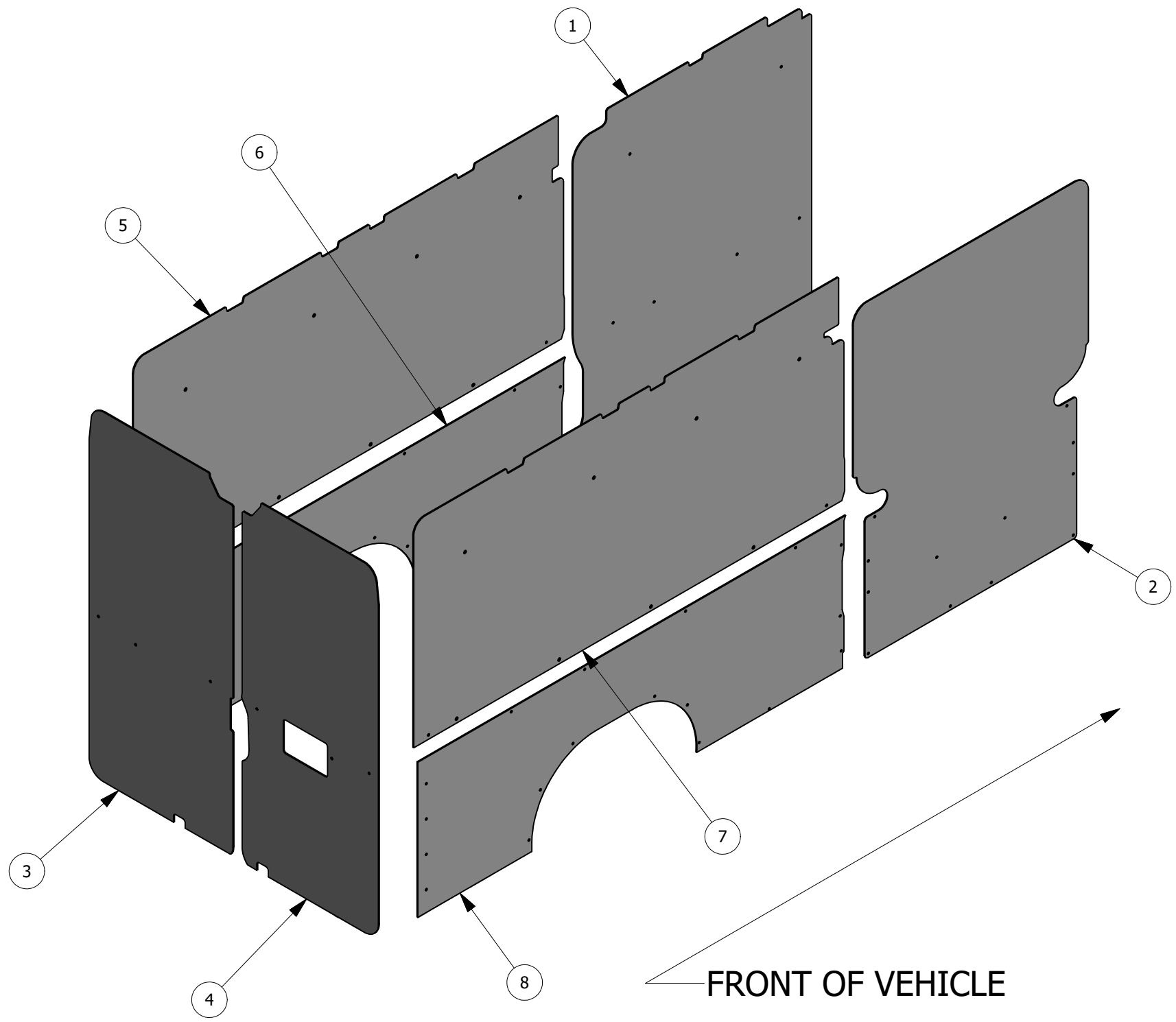


PARTS LIST

ITEM	KIT NUMBER	PART NUMBER	DESCRIPTION	QTY
	RPH159XW	14600	PROMASTER 159 HR EXT. WALL SYSTEM	1
1		14402	Promaster 159 HR Front Driver Wall	1
5		14596	Promaster 159 HR EXT. Rear Driver Upper	1
6		14597	Promaster 159 HR EXT. Rear Driver Lower	1
7		14598	Promaster 159 HR EXT. Rear Passenger Upper	1
8		14599	Promaster 159 HR EXT. Rear Passenger Lower	1
				1
	RPH159XD	14417	PROMASTER 159 HR DOOR SYSTEM	1
2		14414	Promaster 159 HR Sliding Door	1
3		14415	Promaster 159 HR Rear Driver Door	1
4		14416	Promaster 159 HR Rear Passenger Door	1



FRONT OF VEHICLE

CONFIDENTIAL AND PROPRIETARY INFORMATION OF WELFORMED MATERIALS. ANY REPRODUCTION IN PART OR AS A WHOLE WITHOUT OUR EXPRESS WRITTEN CONSENT IS PROHIBITED.

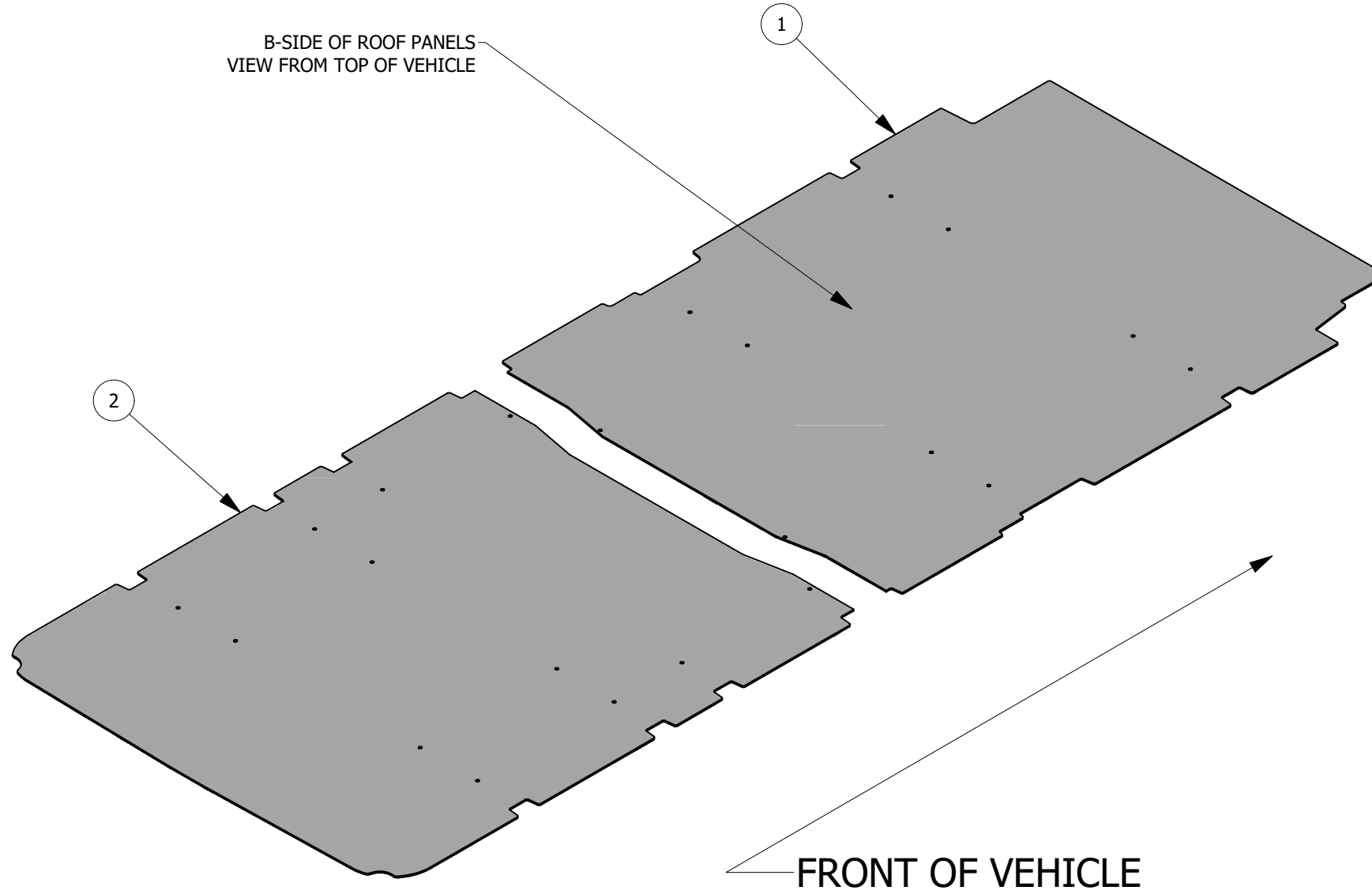
Welfit
WELFITKITS.COM
(574) 262-4054



WELFORMED
A DIVISION OF GENESIS PRODUCTS

DESCRIPTION:
PROMASTER 159 HR EXT. WALL & DOOR SYSTEMS

PARTS LIST				
ITEM	KIT NUMBER	PART NUMBER	DESCRIPTION	QTY
	RPH159XC	14604	PROMASTER 159 HR EXT CEILING SYSTEM	1
1		14601	Promaster 159 HR EXT Front Roof Panel	1
2		14602	Promaster 159 HR EXT Rear Roof Panel	1



CONFIDENTIAL AND PROPRIETARY
INFORMATION OF WELFORMED
MATERIALS. ANY REPRODUCTION
IN PART OR AS A WHOLE WITHOUT
OUR EXPRESS WRITTEN CONSENT
IS PROHIBITED.

Welfit
WELFITKITS.COM
(574) 262-4054



WELFORMED
A DIVISION OF GENESIS PRODUCTS

DESCRIPTION:

PROMASTER 159 HR EXT. CEILING SYSTEM